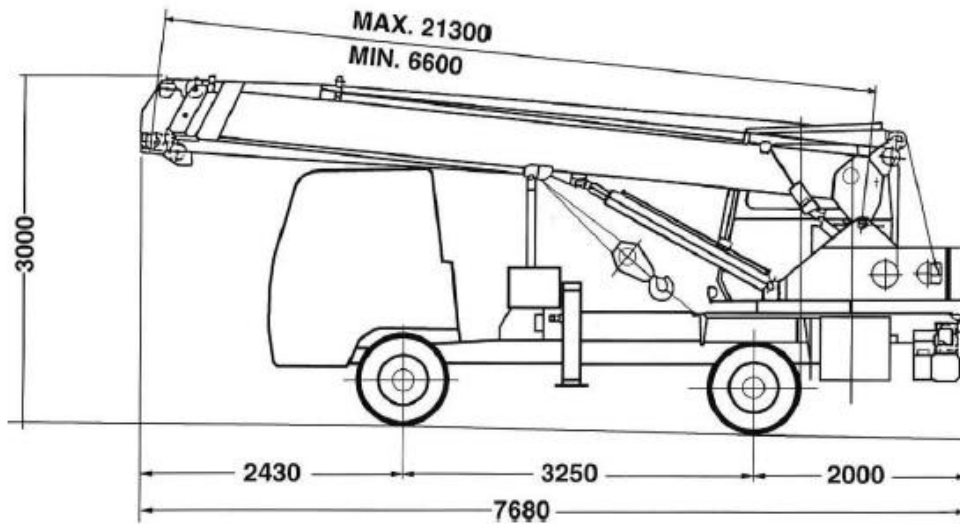


**7.5 Tonne KATO NK75MV TELESCOPIC Crane
on HINO Ranger Compact City Truck**

Dimensions



**7.5 TONNE KATO NK75MV TELESCOPIC
CRANE
ON HINO RANGER COMPACT CITY TRUCK**

Gross Vehicle Weight	8,12 to	Overall Width	2,23 m
Fully Extended Outrigger Width	4,40 m	Tail Swing Radius	1,60 m

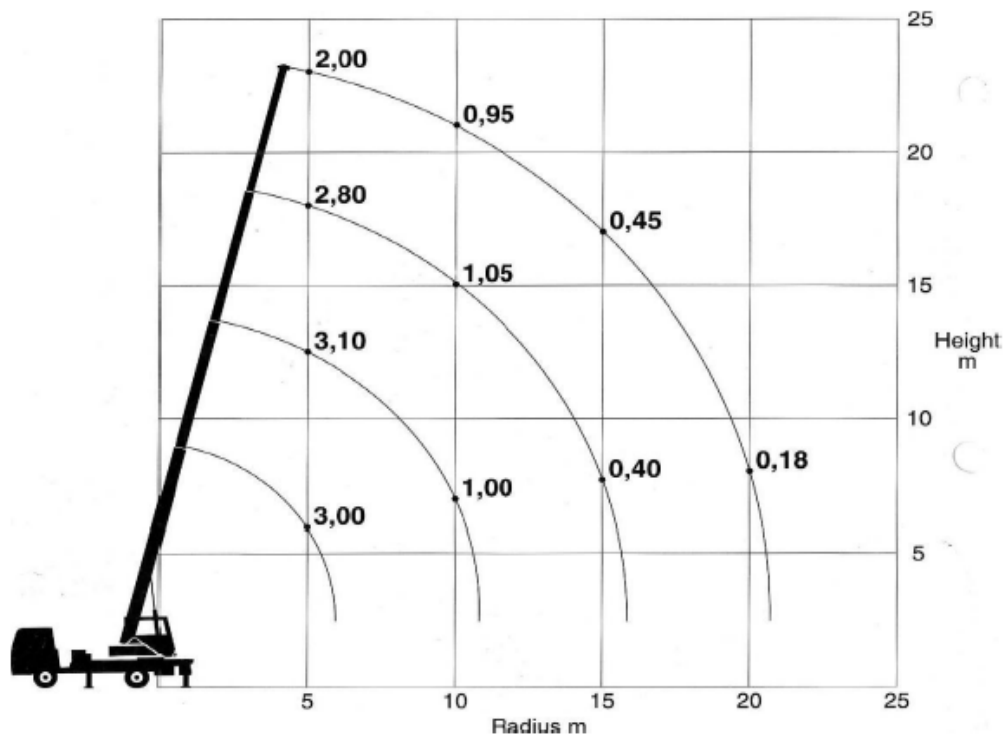
BJW Cranes Ltd
2nd Avenue
Flixborough Ind Est
Scunthorpe
DN15 8SD

Tel: 01724 289501
Web: www.bjwcranehire.co.uk
Email: enquiries@bjwcranehire.co.uk

**7.5 Tonne KATO NK75MV TELESCOPIC Crane
on HINO Ranger Compact City Truck**

Lifting Capacities/Lifting Heights

Standard Boom 6,6 - 21,3 m. On Outriggers. Working Range 360°



**7.5 Tonne KATO NK75MV TELESCOPIC Crane
on HINO Ranger Compact City Truck**

Lifting Capacities Main Boom

Standard Boom 6,6 - 21,3 m. On Outriggers.

Radius m	Main Boom								Radius m
	Front Jack* extended (3601 Front Jack* not extended (over sides & rear)				Front Jack* not extended (over front)				
	6,6	11,5	16,4	21,3	6,6	11,5	16,4	21,3	
2,3	7,50	-	-	-	8,00	-	-	-	2,3
2,5	7,00	-	-	-	7,00	-	-	-	2,5
3,0	6,10	4,90	-	-	5,20	4,90	-	-	3,0
3,5	4,90	4,65	3,70	2,00	3,80	3,90	3,50	-	3,5
4,0	4,55	4,50	3,60	2,00	2,70	2,80	2,80	-	4,0
4,5	3,75	3,85	3,30	2,00	1,90	2,10	2,10	2,00	4,5
5,0	3,15	3,25	3,05	2,00	1,50	1,60	1,60	1,70	5,0
5,5	2,70	2,65	2,80	1,85	1,20	1,30	1,30	1,35	5,5
6,0	2,35	2,35	2,50	1,70	0,90	1,05	1,05	1,10	6,0
7,0	-	1,80	2,00	1,45	-	0,75	0,75	0,80	7,0
8,0	-	1,45	1,60	1,25	-	0,50	0,50	0,55	8,0
9,0	-	1,20	1,35	1,10	-	0,35	0,35	0,40	9,0
10,0	-	1,00	1,15	1,00	-	0,25	0,25	0,30	10,0
11,0	-	0,85	0,85	0,85	-	0,15	0,15	0,20	10,9
12,0	-	-	0,80	0,82	-	-	-	-	12,0
13,0	-	-	0,65	0,70	-	-	-	-	13,0
14,0	-	-	0,55	0,60	-	-	-	-	14,0
15,0	-	-	0,45	0,52	-	-	-	-	15,0
16,0	-	-	0,40	0,45	-	-	-	-	15,8
17,0	-	-	-	0,32	-	-	-	-	17,0
18,0	-	-	-	0,26	-	-	-	-	18,0
19,0	-	-	-	0,20	-	-	-	-	19,0
20,0	-	-	-	0,15	-	-	-	-	20,0
20,5	-	-	-	0,12	-	-	-	-	20,5