



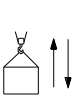
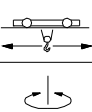
**SPIERINGS  
CRANES**

**Make: SPIERINGS**

**Type: SK1265-AT6**

**Crane specification (Jib length 60 m)**

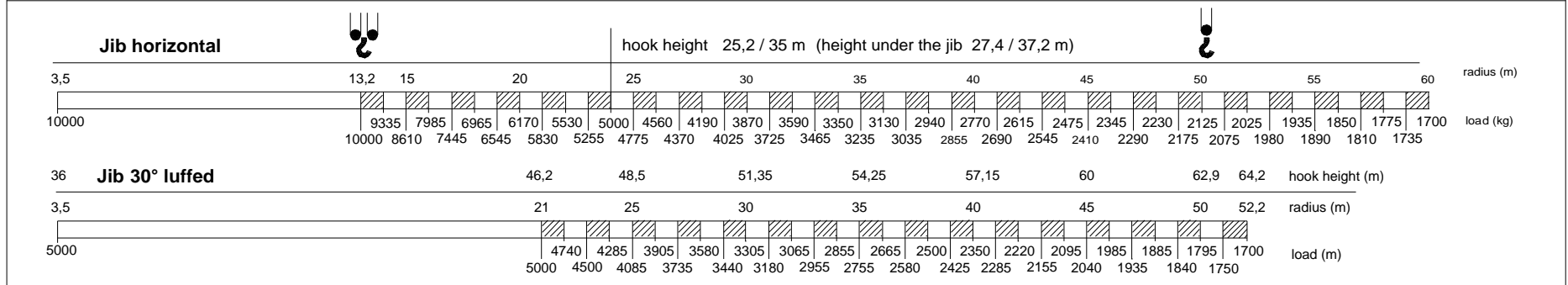
Serial number <input type="text"/>	Crane group : A3 as per FEM 1.001	Max. load  <b>10,0 tonne</b>	Max. radius with max. load  <b>13,2 m</b>	Max. capacity  <b>132 tm</b>	Max. jib length  <b>60 m</b>
	Loadspectrum : Q1 as per FEM 1.001				
Year of construction <input type="text"/>	Classification : U4 as per FEM 1.001				
	Stability : as per FEM 1.001				

<b>Speeds</b> Jib horizontal / jib 30° luffed				All motions with hydraulic proportional controls Luffing the jib 30° can be controlled from crane cab or via remote control The crane should be folded in at a wind force > 8 on the Beaufort scale (wind speed 20 m/min)	Crane equipped with full counterweight: 14300 kg 360° continuous slewing : with outriggers out and down Operating temperature : range from -15° to 40° C.	Rated lifting capacity is net capacity Max. line pull force : 2500 kg 2 parts of line : 5000 kg - 1700 kg 4 parts of line : 10000 kg - 5000 kg Sail area of the load : max. 1,0 m <sup>2</sup> / tonne Max. outrigger loading: 520 kN	<b>Outrigger position : 7,95 x 7,66 m</b> Operation allowed up to a wind force of 6 on the Beaufort scale (wind speed 14m/sec) <b>Outrigger position : 7,95 x 5,72 m</b> Operation allowed up to a wind force of 6 on the Beaufort scale (wind speed 14 m/sec)
m/min	kg						
15	10000						
30	5000						
45	2500						
75	0						

**Lifting chart**

**Outrigger spread : 7,95 m x 7,66 m**

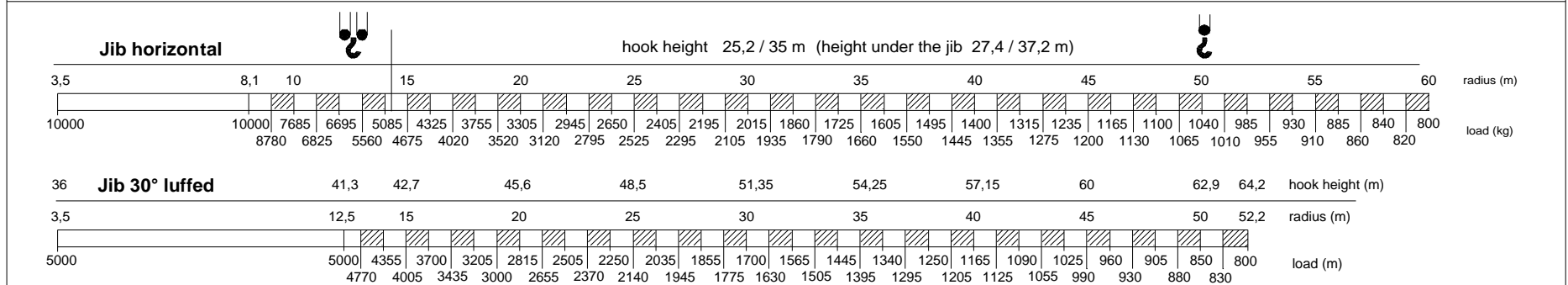
**(up to wind force 6 on the beaufort scale)**



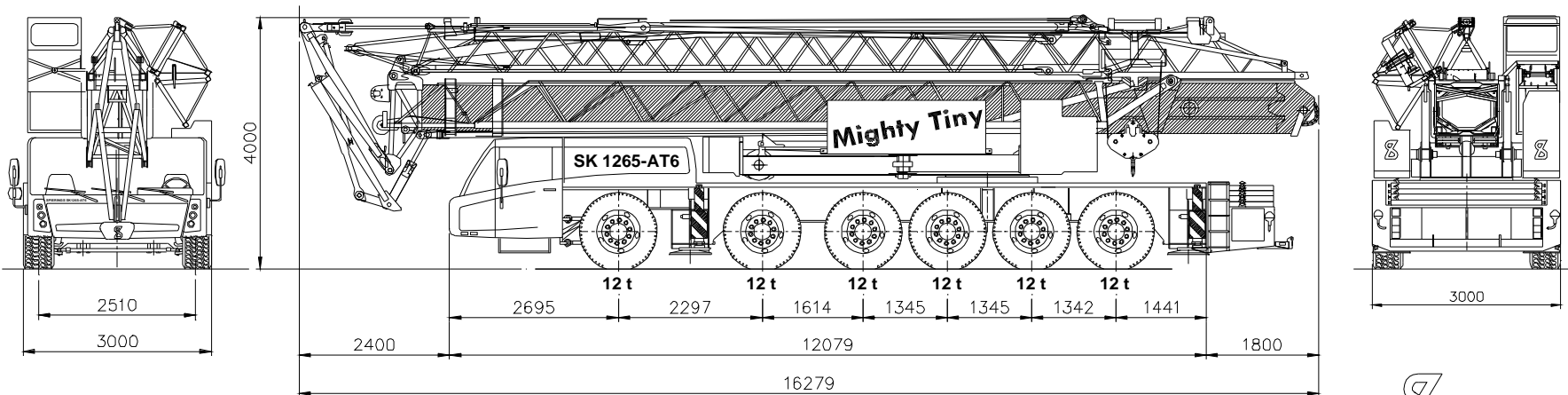
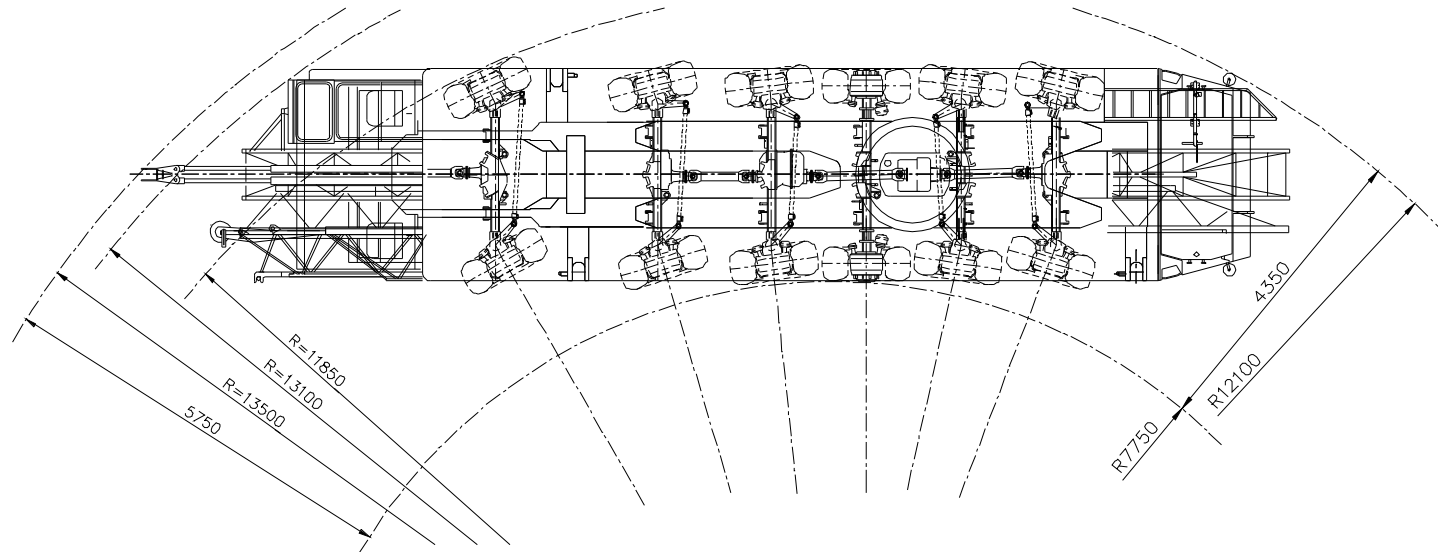
**Lifting chart**

**Outrigger spread : 7,95 m x 5,72 m**

**(up to wind force 6 on the beaufort scale)**



changes subject to modifications

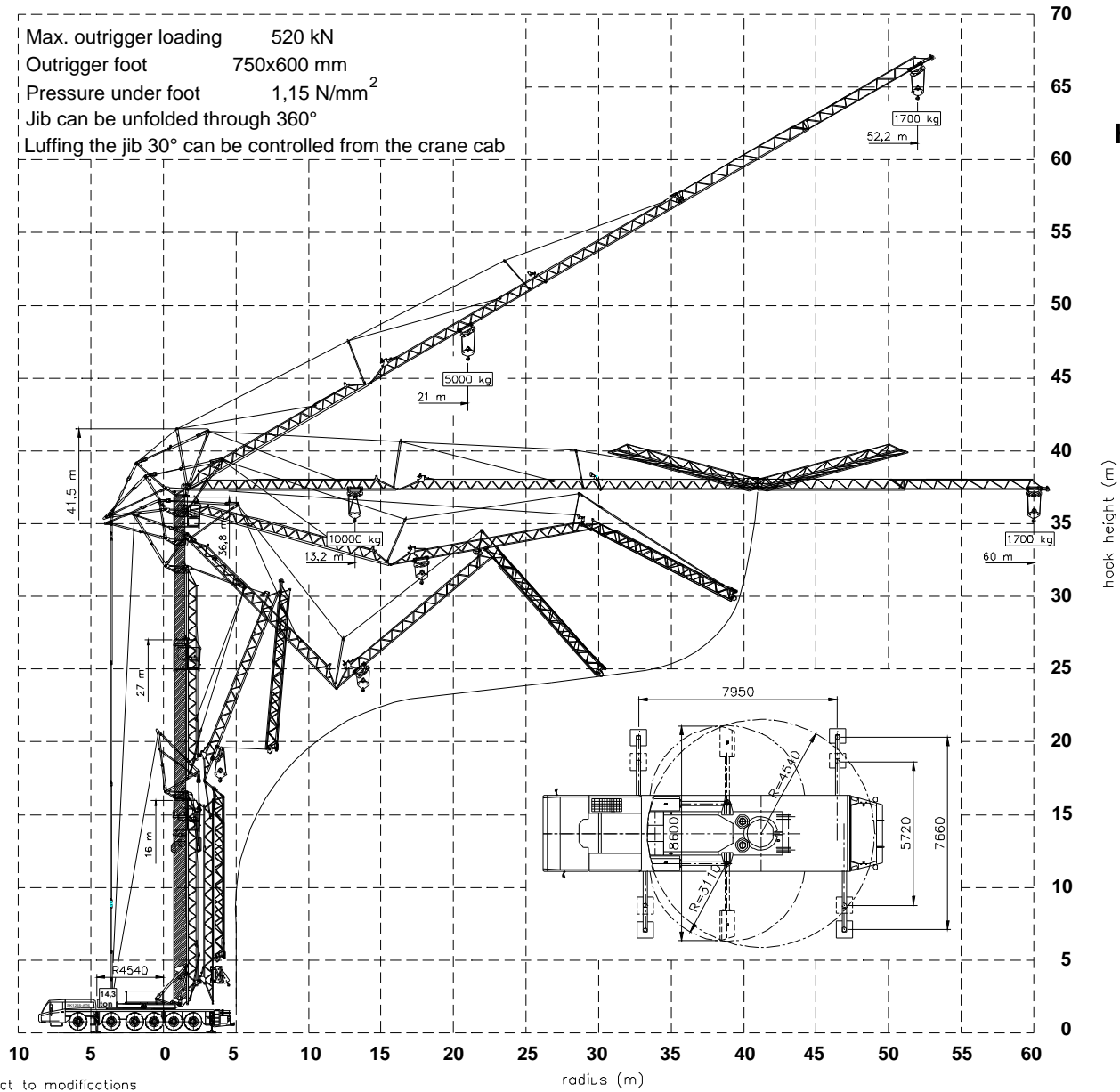


**SPIERINGS HYDRAULIC FOLDING CRANE**  
**SK 1265 - AT6**


**SPIERINGS KRANEN**  
 Merwedestraat 15  
 5347 KZ Oss NL  
 Tel. +31 (0)412-626964  
 Fax +31 (0)412-645299

Total weight: 72000 kg  
 Changes subject to modifications

Max. outrigger loading 520 kN  
 Outrigger foot 750x600 mm  
 Pressure under foot 1,15 N/mm<sup>2</sup>  
 Jib can be unfolded through 360°  
 Luffing the jib 30° can be controlled from the crane cab



## SPIERINGS HYDRAULIC FOLDING CRANE SK1265-AT6



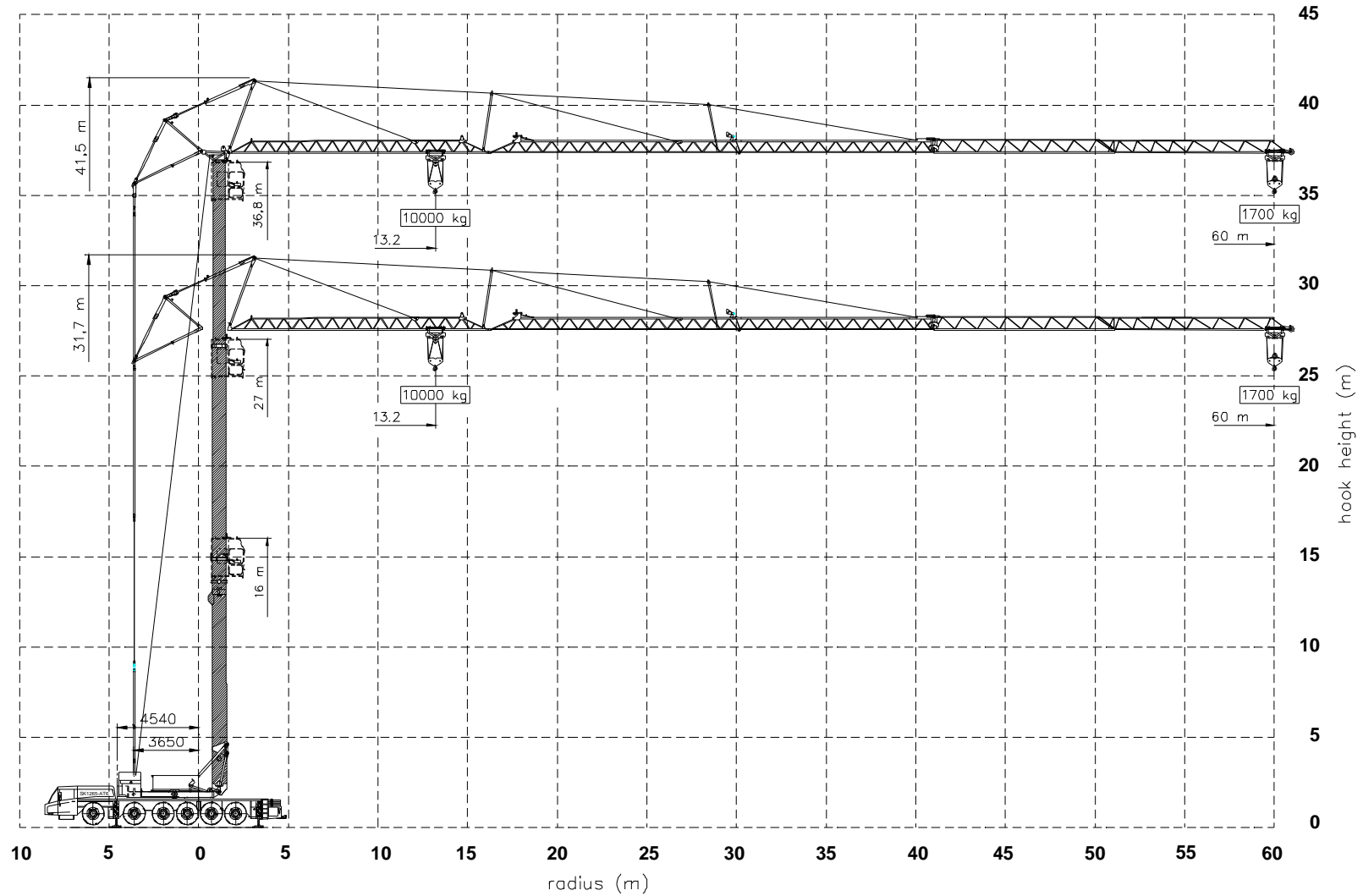
Merwedestraat 15  
 5347 KZ Oss NL  
 Tel. +31 (0)412-626964  
 Fax +31 (0)412-645299

Changes subject to modifications

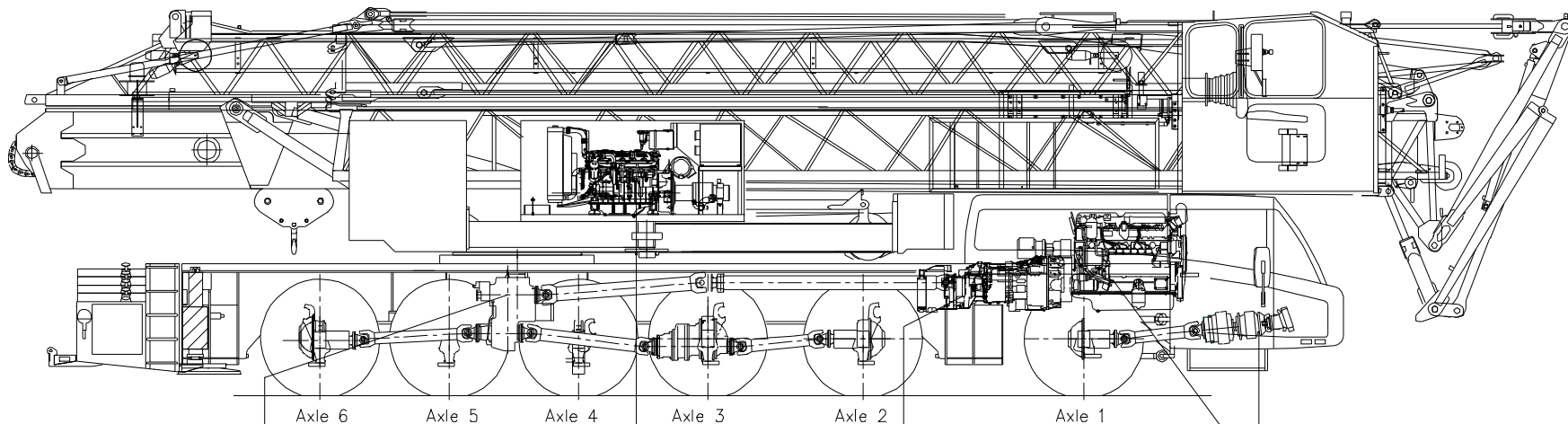
# SPIERINGS

## HYDRAULIC FOLDING CRANE

### SK1265-AT6



changes made by manufacturer



Transfer box:  
 STEYR VG2001/396  
 Road gear  $i=0,89$   
 Off road gear  $i=1,54$

Crane diesel engine:  
 DETROIT VM D706 IE2  
 Power: 96 kW (2600 tpm)  
 Torque: 480 Nm (1300 tpm)

Gearbox:  
 ZF 16AS2601  
 Automatic  
 Dry plate clutch  
 + intarder

Carrier diesel engine:  
 DAF XE 390C  
 Power: 390 kW (1900 tpm)  
 Torque: 2300 Nm (1500 tpm)

Hydraulic powered front axle  
 Bosch Rexroth hydro-motor A6VM  
 BREVINI planetary reduction gearbox  
 ED 2090 FE / 14,3  
 Max. speed 12 km/u

Axle 1 : Steer axle, hydraulic driven (end reduction  $i=6,38$ )  
 Axle 2 : Steer drive axle (end reduction  $i=6,35$ )  
 Axle 3 : Steer drive axle (end reduction  $i=6,35$ )  
 Axle 4 : Axle , non steered and non powered  
 Axle 5 : Steer axle  
 Axle 6 : Steer drive axle (end reduction  $i=6,35$ )

Tyres : 445/75 R22,5  
 Suspension: hydro-pneumatic on all axles; stroke cyl. : 247 mm  
 Max. speed carrier : 85 km/uur  
 Min. speed carrier (engine at 1000 rpm) : 1,6 km/uur  
 Overall weight : 60.000 kg.

## Drive train Spierings Folding Crane SK 1265-AT6

Changes subject to modifications